

Antenna HP 06-0525 D

Antenna HP 06-0525 D



▾ General Specifications

Diameter	0.6 m
Standard Colour	RAL 7035
Shroud	Low profile
Antenna Input	Interface for N connector
Polarization	Dual

▾ Mechanical Characteristics

Pole	75÷115 mm
Elevation-fine adjustment	±20°
Azimuth-fine adjustment	±10°
Side struts, included	0
Side struts, optional	0
Net weight	11.5 Kg
Radome	Rigid plastic
Wind velocity Operational	45 m/s
Wind velocity Survival	70 m/s
Wind deflection	<0.3 times the -3 dB beamwidth
(with a wind velocity of 45 m/s)	Specified wind deflection applies for 115 mm dia mounting pipe only

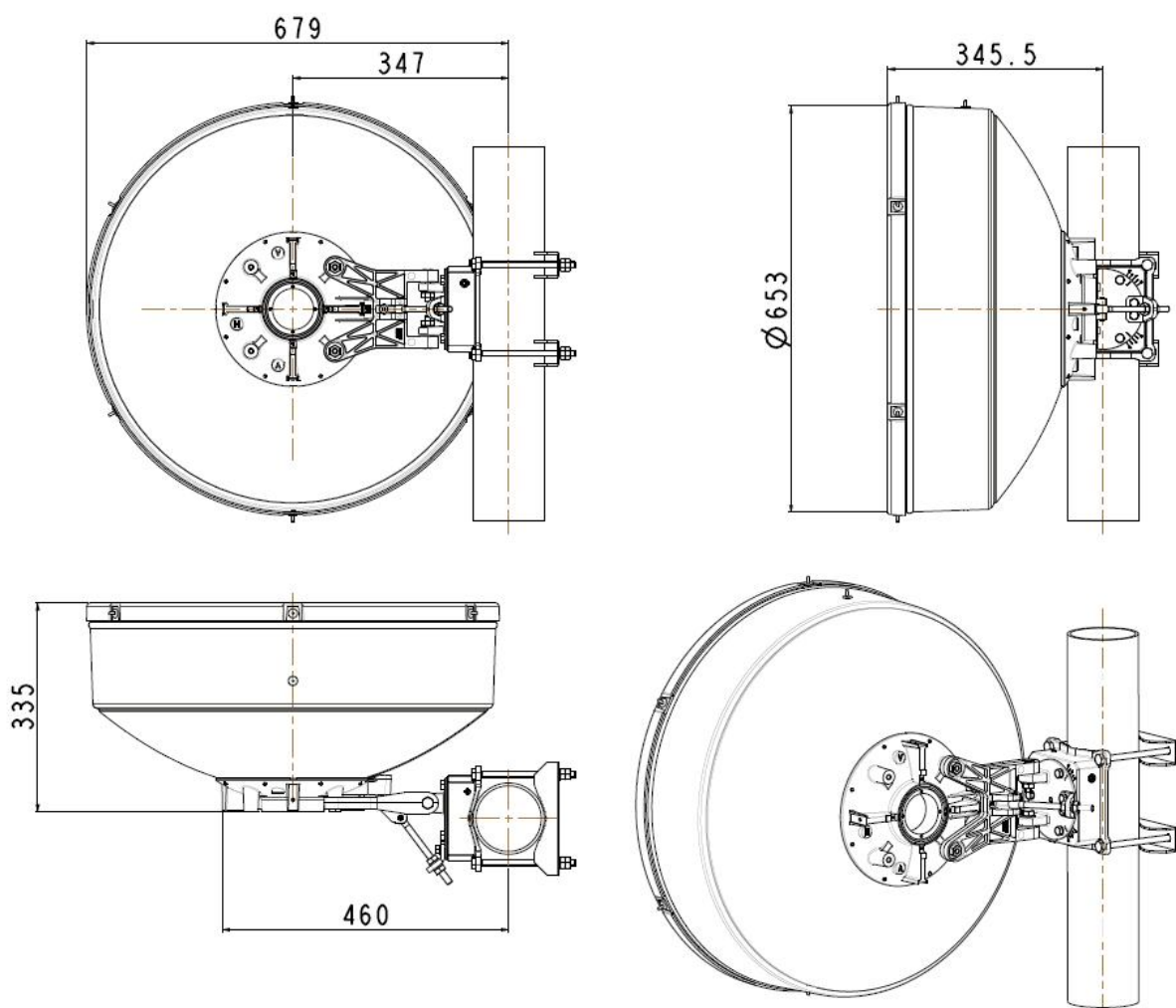
↙ Antenna Dimensions

(pole mount included)

Height 653.0 mm

Width 679.0 mm

Depth 345.5 mm



↘ Wind forces at wind velocity survival rating and with 25 mm (1") ice load

Axial force	1444 N
Side force	715 N
Twisting Moment	527 N•m

Maximum forces exerted on a supporting structure as a result of wind (survival rating) from the most critical direction for each parameter. These values may not occur simultaneously. All forces are referred to the mounting pipe of 115 mm diameter

↘ Electrical Characteristics

Frequency range	5.25-5.85 GHz
Gain, low band	28.0 dBi
Gain, mid band	28.1 dBi
Gain, top band	28.2 dBi
R.L.	14 dB
VSWR	1.5
HPBW	6.0°
Front-to-back- ratio	49.0 dB
Isolation	35.0 dB
XPD	30.0 dB
RPER	ETSI 302 217
Electrical Compliance	Class 2

↘ Shipping Information

Gross weight	19.4 Kg
Height	680 mm
Depth	700 mm
Width	700 mm

Issued on 24-06-2010

FREQUENCY BAND: 5250 to 5850 MHz
 DIAMETER: 0.6 m
 GAIN: DUAL POLARIZED 28 ± 0.2 dBi at 5550 MHz
 HPBW: 6 deg. Azimuth 6 deg. Elevation

--- CROSS-POLARIZATION
 — CO-POLARIZATION

