

Antenna HP 08-0525 D

Antenna HP 08-0525 D



General Specifications

Diameter	0.8 m
Standard Colour	RAL 7035
Shroud	Low profile
Antenna Input	Interface for N Connector
Polarization	Dual

Mechanical Characteristics

Pole	114 mm
Elevation-fine adjustment	$\pm 20^\circ$
Azimuth-fine adjustment	$\pm 10^\circ$
Side struts, included	0
Side struts, optional	1
Net weight	16.5 Kg
Radome	Rigid plastic
Wind velocity Operational	30 m/s
Wind velocity Survival	70 m/s
Wind deflection	<0.3 times the -3 dB beamwidth
(with a wind velocity of 30 m/s)	Specified wind deflection applies for 114 mm dia mounting pipe only

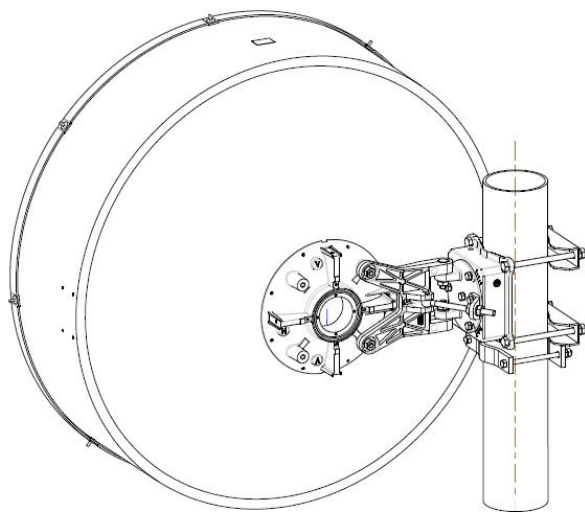
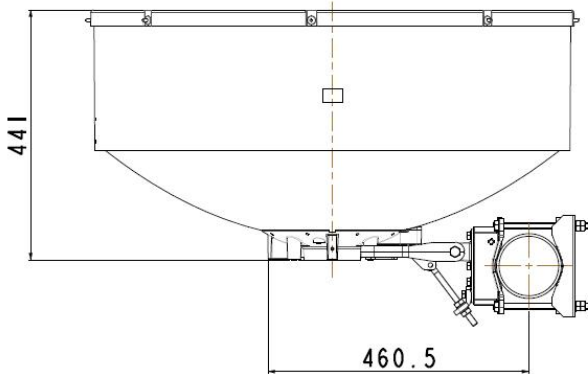
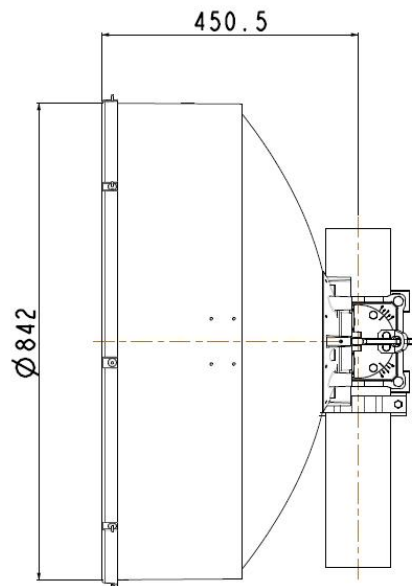
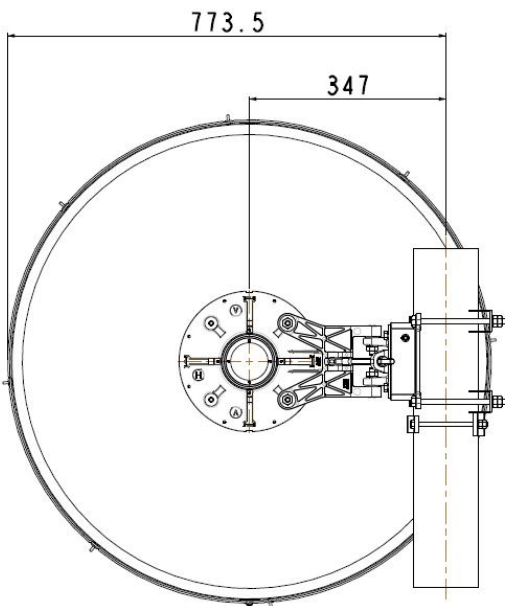
↙ Antenna Dimensions

(pole mount included)

Height 842.0 mm

Width 842.0 mm

Depth 441.0 mm



↘ Wind forces at wind velocity survival rating and with 25 mm (1") ice load

Axial force	2230 N
Side force	1105 N
Twisting Moment	821 N•m

Maximum forces exerted on a supporting structure as a result of wind (survival rating) from the most critical direction for each parameter. These values may not occur simultaneously. All forces are referred to the mounting pipe of 114 mm diameter

↘ Electrical Characteristics

Frequency range	5.25-5.85 GHz
Gain, low band	29.8 dBi
Gain, mid band	30.1 dBi
Gain, top band	30.5 dBi
R.L.	14.0 dB
VSWR	1.5
HPBW	4.8°
Front-to-back- ratio	51 dB
Isolation	35 dB
XPD	30.0 dB
RPER	ETSI 302 217
Electrical Compliance	Class 2

↘ Shipping Information

Gross weight	25.5 Kg
Height	820 mm
Depth	950 mm
Width	960 mm

