



IC-M330GE

(With GPS Receiver)

IC-M330E

(Without GPS Receiver)

VHF MARINE TRANSCEIVERS

Top Performance Ultra Compact VHF



MADE IN
JAPAN

IC-M330GE Black version

- Ultra Compact Body (W x H x D; 156.5 x 66.5 x 110.1 mm)
- Easy Installation in Limited Space
- Easy-to-Read Full Dot-Matrix Display
- Intuitive User Interface
- New Speaker Delivers Dynamic, Clear Audio
- Class Leading Receiver Performance (IMD and Selectivity: more than 70 dB)
- Built-in Class D DSC with a CH70 Dedicated Receiver (IC-M330GE meets ITU-R M.493-14)
- GPS Receiver Built-in with Supplied GPS Antenna (IC-M330GE)
- AquaQuake™ Draining Function
- IPX7 Waterproof Construction (1 m depth of water for 30 minutes)
- Made in Japan Quality and Reliability



IC-M330GE White version

Ultra Compact Body, Flexible Installation

The compact IC-M330E/GE measures only 156.5 (W) × 66.5 (H) × 110.1 (D) mm making it ideal for a cockpit where space is limited.

Intuitive User Interface

A combination of the directional keypad and soft keys provides simple, smooth operation. Most used functions are assigned to soft keys for quick one push function access.

New Speaker Delivers Dynamic, Clear Audio

A newly designed speaker delivers distortion-free clear audio even at full volume. It provides dynamic and clear audio over a wide bass and treble range.

Class Leading Receiver Performance

The IC-M330E/GE's receiver provides reliable communication in RF busy environment like a marina. (Selectivity and IMD: more than 70 dB)

Built-in Class D DSC

The radio monitors CH 70 continuously, even while you are receiving another channel. DSC functions include: distress, individual, group, all ships, urgency, safety, position request/report, polling request and DSC test calls.

GPS Receiver Built-in (IC-M330GE)

A built-in GPS receiver provides your location, bearing and speed by using information from GPS, GLONASS and SBAS. The acquired position information can be used for DSC calls.



Supplied GPS antenna

Made in Japan Quality and Reliability

All Icom products are tested to pass rigorous in-house tests as well as environmental tests at the Wakayama Icom plant before shipping. Our world-leading products and quality is tradition.

And More

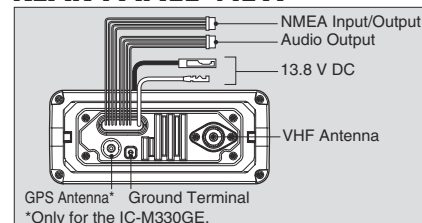
- IPX7 waterproof (1 m depth of water for 30 minutes)
- AquaQuake™ prevents audio degradation from a water-logged speaker
- Common NMEA interface for external GPS/NAV connection
- MA-500TR Class B AIS transponder compatible
- Tag scan and favorite channel functions
- Dual/tri-watch function for monitoring CH16 and/or call channel
- Priority scan function • Display and keypad backlighting
- External speaker connection
- 3-digit or 4-digit channel display selectable
- Supplied hand microphone, HM-235B/W, with channel up/down keys and a CH16/Call channel key

OPTIONS



HM-235B/W
HAND MICROPHONE
Same as supplied.

REAR PANEL VIEW



*Only for the IC-M330GE.

SPECIFICATIONS

GENERAL		
Frequency range	TX RX CH70	156.000–162.000 MHz 156.000–163.425 MHz 156.525 MHz
Usable channels		INT, USA* channels * Available depending on version
Type of emission		16K0G3E (FM), 16K0G2B (DSC)
Power supply requirement		13.8 V DC nominal (10.8–15.6 V DC)
Current drain	Tx Rx Max. audio	5 A 1 A
Operating temperature range		–20°C to +60°C
Antenna impedance		50 Ω (SO-239)
Dimensions (W × H × D) (projections not included)		156.5 × 66.5 × 110.1 mm
Weight (approx.)		730 g
NMEA formats	In Out	In RMC, GGA, GNS, GLL, VTG Out DSC, DSE, RMC, GSA, GSV
TRANSMITTER		
Output power		25 W, 1 W
Max. frequency deviation		±5.0 kHz
Frequency stability		Less than ±0.75 kHz
Spurious emissions		Less than 0.25 μW

RECEIVER		
Sensitivity	Main DSC	–5 dBμ emf typ. (20 dB SINAD) –5 dBμ emf typ. (1% BER)
Squelch sensitivity	Main	Less than –2 dBμ emf
Adjacent channel selectivity	Main DSC	More than 70 dB More than 73 dBμ emf (1% BER)
Spurious response	Main DSC	More than 70 dB More than 73 dBμ emf (1% BER)
Intermodulation	Main DSC	More than 70 dB More than 68 dBμ emf (1% BER)
Hum and noise		More than 40 dB
Audio output power (at 10% distortion, 4 Ω load)		More than 2 W

Measurements made in accordance with EN 301 025-2, -3. All stated specifications are subject to change without notice or obligation.

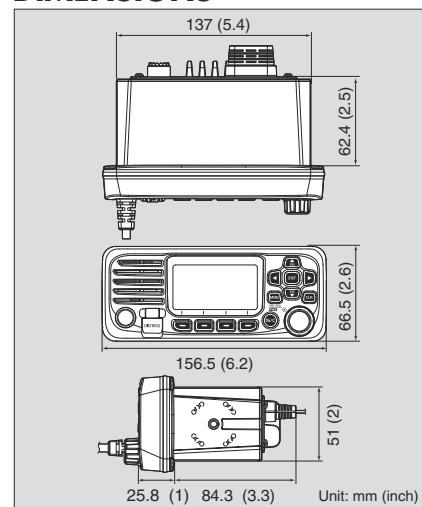
Applicable IP Rating

Ingress Protection Standard	
Water	IPX7 (Waterproof protection)

Supplied accessories:

- HM-235B/W hand microphone
 - DC power cable
 - Mounting bracket kit
 - GPS antenna (5 m cable)*
- * Only for the IC-M330GE.

DIMENSIONS



Icom, Icom Inc. and Icom logo are registered trademarks of Icom Incorporated (Japan) in Japan, the United States, the United Kingdom, Germany, France, Spain, Russia, Australia, New Zealand and/or other countries. AQUAQUAKE is a trademark of Icom Inc. (Japan). All other trademarks are the properties of their respective holders.

Icom Inc. 1-1-32, Kamiminami, Hirano-Ku, Osaka 547-0003, Japan Phone: +81 (06) 6793 5302 Fax: +81 (06) 6793 0013

www.icom.co.jp/world

Count on us!

Your local distributor/dealer:



Advantec Srl

Via Caduti per la Libertà, 13
10060 Pinasca TO - Italy
Tel. +39 0121326770
info@advantec.it - www.advantec.it