

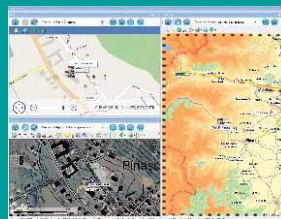


COM PC Based Dispatcher

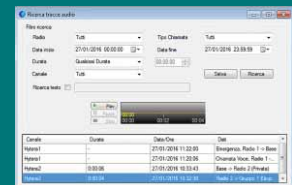
TALK MANAGER



TALK FINDER



TALK RECORDER



Application Description

COM dispatcher allows the management of voice communication, private calls, exchange text messages and GPS position of a fleet of vehicles, equipped with analog radios, digital DMR, TETRA or GSM / GPRS.

Access to the software is managed using different credentials for users and administrators.

COM consists of three main modules that can be purchased separately: Talk Manager, Talk Finder, Talk Recorder and plugins for the realization of customized functions.

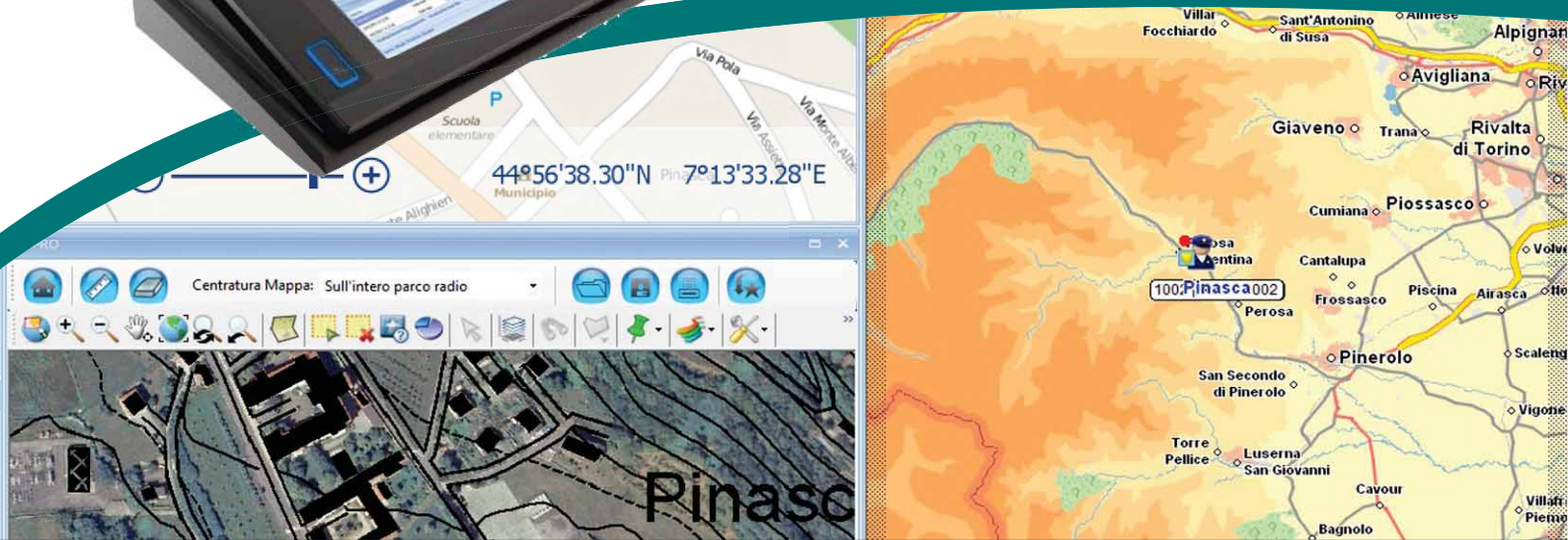
✓ **TALK MANAGER:** the module allows the simultaneous management of multi-radio lines with different technologies (Analog, DMR, TETRA, GSM). The radio fleet is included in an address book that allows a dynamic management of both individual radios and groups. Dynamic groups can also be created by Dynamic Group Assignment (DGNA). Filtered view allows quick access to different elements.

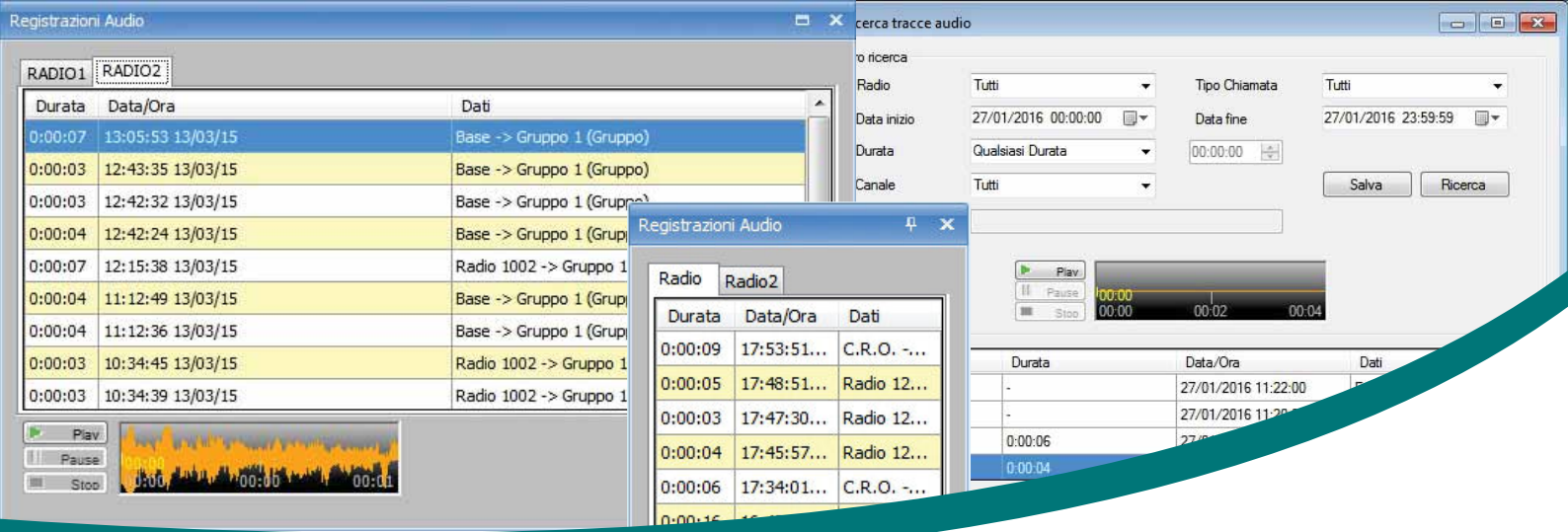
- ✓ **VOICE calls:** ability to send and receive voice calls or call alerts in a simple and intuitive way. Multiple line selection as well as automatic crosspatches are also managed.
- ✓ **Text messages and status:** ability to send and receive any kind of text messages or pre-coded status messages (depends on the radio and on options).
- ✓ **Radio calls log:** the traffic of the radio channel is shown in a log window and can be saved on the hard disk for post verifications or statistical surveys. The query of the log is facilitated using combined filters.
- ✓ **Emergency calls:** an incoming emergency call is clearly displayed on the GUI with dedicated audio alarms. It can be configured to forward automatically a telephone call or an GSM SMS according to specific events.

✓ **TALK RECORDER:** this module records all the radio voice calls with associated caller ID. Recorded traces can be played by a web-based searching engine, matching by date, call type, caller ID, radio line.

✓ **TALK FINDER:** the module allows to locate simultaneously on one or more maps your fleet of radios and GPS-GPRS modules. GPS reporting can be immediate or triggered, configurable for each device. Indoor localization can be achieved by means of Bluetooth iBeacons.

Talk Finder module can integrate Open Street Map, Teatlas, Navteq and interact with Google Earth. Also, user raster and vector maps (shp, tiff, geotiff, ecw, jpg, etc...) can be managed in a multilayers view. Standard functions like pan, zoom, waypoint insertion, spatial query and geocoding can be done with the intuitive user-friendly interface. Different maps can be displayed at different zoom levels, to provide tracking at different levels of details.

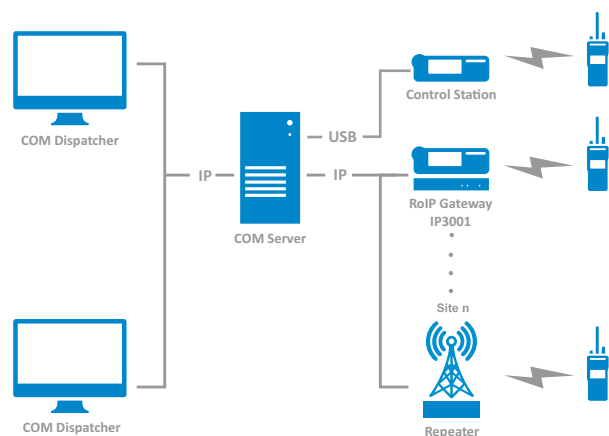




Architecture

The gateway to the radio network can be achieved in 3 ways: **USB connection to control station**, **direct IP connection to the repeater** or **IP connection to mobile radio through IP3001 RoIP Gateway**.

The software allows a simple and intelligent management of the radio communication in the form of a computerized central console. The user interface is fully configurable and adaptable according to the requirements and the device in use; approach "touch oriented", by managing the "gesture", allows an easy and intuitive use of the application on platforms like PC all-in-one or tablet.



RoIP Gateway IP3001

IP-3001 is an IP radio gateway to be integrated with dispatcher software. Based upon the Linux operating system, the IP-3001 provides an extremely reliable means of remote controlling radio devices.

IP-3001 can control analog radios, digital radios or standard 4 Wire + E&M.

GPS Localization During Voice Call

Enabling the "Voice with GPS" feature, it is possible to get GPS data very frequently (e.g. 3s) during a voice call!

- ✓ Same Channel&Slot of voice call - RF resources saving
- ✓ "Near" real time localization during calls

| Data/Ora | Slot | Canale/Gruppo | Evento | Mittente | Destinatario | Contenuto | Note |
|---------------------|------|---------------|--------|----------|--------------|---|------|
| 14/04/2017 14:06:58 | BASE | Canale 1 | | Radio 2 | | LAT: 44° 56' 38,377N ; LONG: 7° 13' 34,257E | |
| 14/04/2017 14:06:56 | BASE | Canale 1 | | Radio 2 | | LAT: 44° 56' 38,187N ; LONG: 7° 13' 34,337E | |
| 14/04/2017 14:06:53 | BASE | Canale 1 | | Radio 2 | | LAT: 44° 56' 38,17N ; LONG: 7° 13' 34,377E | |
| 14/04/2017 14:06:49 | BASE | Canale 1 | | Radio 2 | | LAT: 44° 56' 38,067N ; LONG: 7° 13' 34,377E | |
| 14/04/2017 14:06:46 | BASE | Canale 1 | | Radio 2 | | LAT: 44° 56' 38,037N ; LONG: 7° 13' 34,337E | |
| 14/04/2017 14:06:44 | BASE | Canale 1 | | Radio 2 | | LAT: 44° 56' 38,17N ; LONG: 7° 13' 34,257E | |
| 14/04/2017 14:06:40 | BASE | Canale 1 | | Radio 2 | | LAT: 44° 56' 38,147N ; LONG: 7° 13' 34,217E | |
| 14/04/2017 14:06:38 | BASE | Canale 1 | | Radio 2 | | LAT: 44° 56' 38,17N ; LONG: 7° 13' 34,377E | |



Indoor Localization with iBeacon Bluetooth

Indoor localization realized by BLE (4.0) iBeacon

- ✓ "Standard" iBeacon - multivendor (cheaper and reliable)
- ✓ Spontaneous, Single request or triggered reporting
- ✓ GPS & Indoor reporting
- ✓ Dedicated maps

Sectors and Markets

Customized Solutions

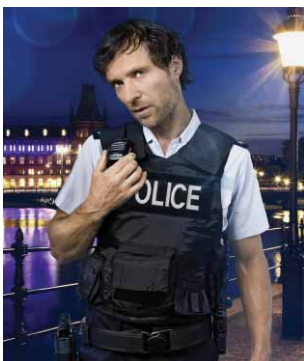


HEALTH

LOGISTICS

INDUSTRY

SECURITY



POLICE

**FIRE
FIGHTER**

HOSPITALITY

**CIVIL
PROTECTION**

Advantec Srl
Via Caduti per la Libertà, 13
10060 Pinasca TO - Italy
Tel. +39 0121326770
info@advantec.it - www.advantec.it

